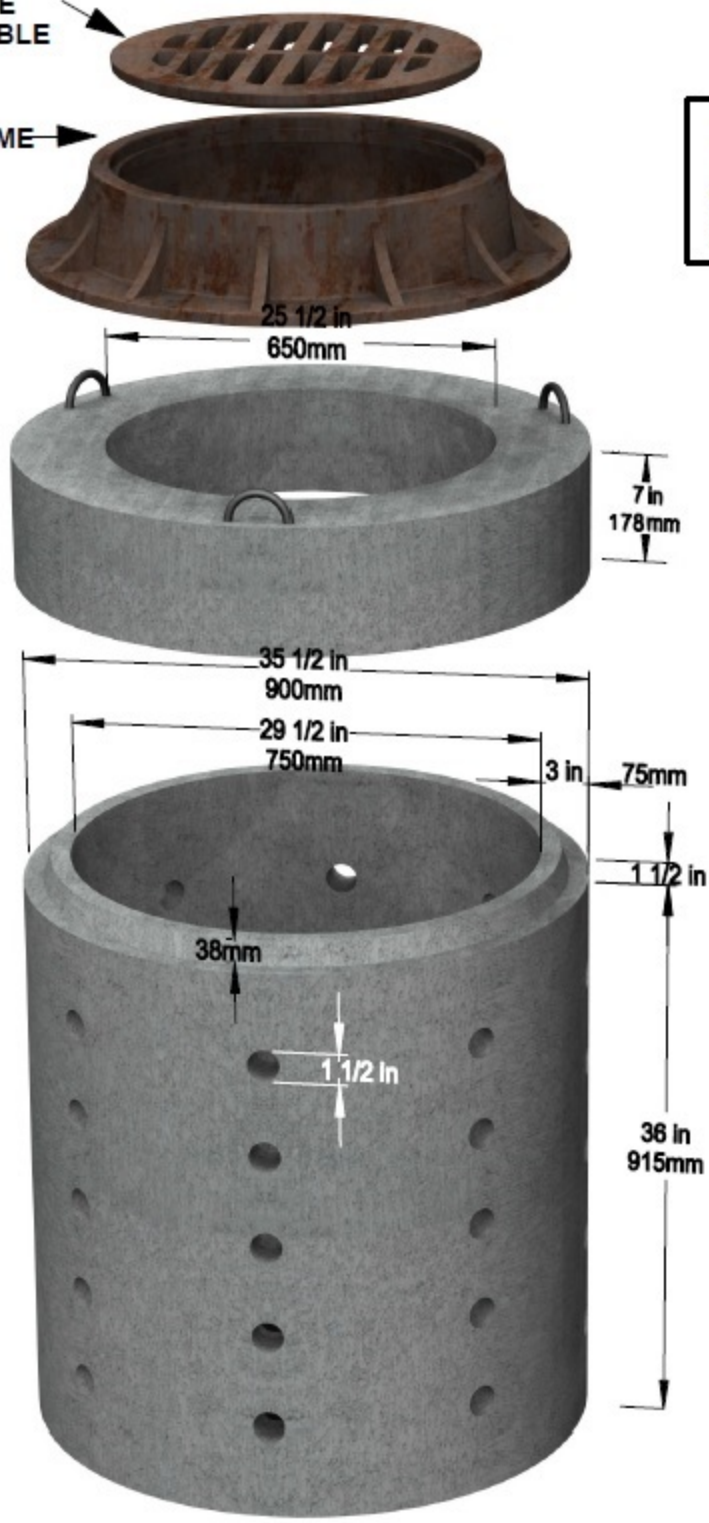
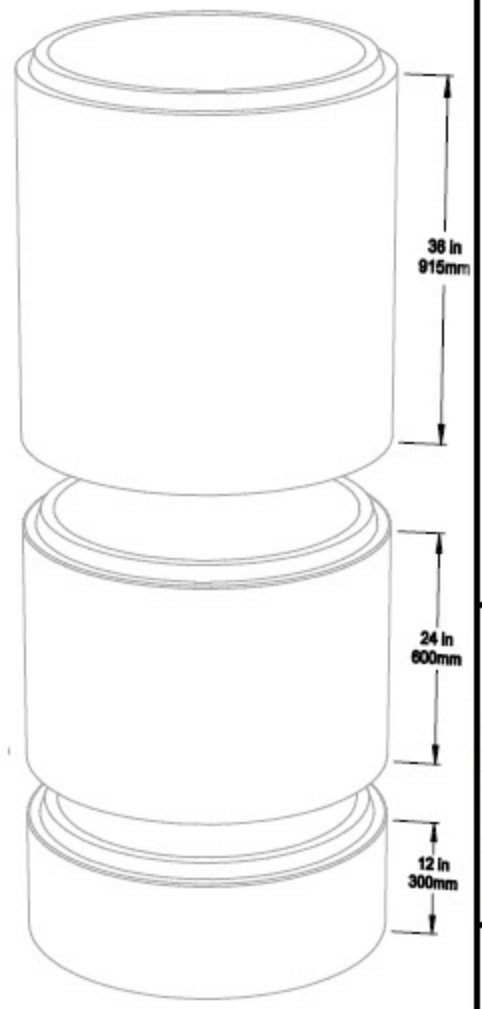


**ELEVATION VIEW**

SCALE: 1" = 12"



OUR PERFORATED BARREL IS ALSO COMPATIBLE WITH OUR 30" CATCH BASIN BARREL SECTIONS AND LIDS AND BASE



**30 IN PERFORATED DRYWELL**

AS NOTED

MARCH 04/2009

DRAWN: RAB

601 Patterson West  
Cranbrook, B.C.  
PO BOX 491 V1C 4J6  
Phone 250-426-8162  
Fax 250-489-4013  
email: info@trikonprecast.com  
www.trikonprecast.com



Conforms to ASTM C478

