

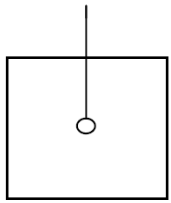
# Lamp base Order Template

Contractor: \_\_\_\_\_

Date Ordered: \_\_\_\_\_

Project: \_\_\_\_\_

Date Required: \_\_\_\_\_

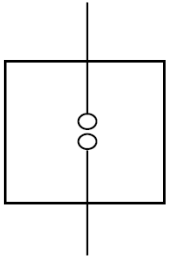


**Quantity Required:**

**Ground Wire:**

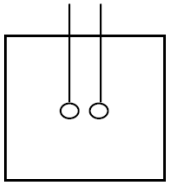
\_\_\_\_\_

\_\_\_\_\_



\_\_\_\_\_

\_\_\_\_\_



\_\_\_\_\_

\_\_\_\_\_

Signature: \_\_\_\_\_

<b>Details</b>
(Lamp base won't be manufactured unless <b>ALL</b> information is filled out)
<p style="text-align: right;">Conduit Size: _____ inch / mm</p> <p style="text-align: right;">Bolt Square: _____ inch / mm</p> <p style="text-align: right;">Bolt Size: _____ inch / mm</p> <p style="text-align: center; margin-top: 20px;">Conduit stubs to be _____ inch/mm down from top of base</p>

**Specify Other Pattern (If Different than above):**



\_\_\_\_\_

\_\_\_\_\_



\_\_\_\_\_

\_\_\_\_\_

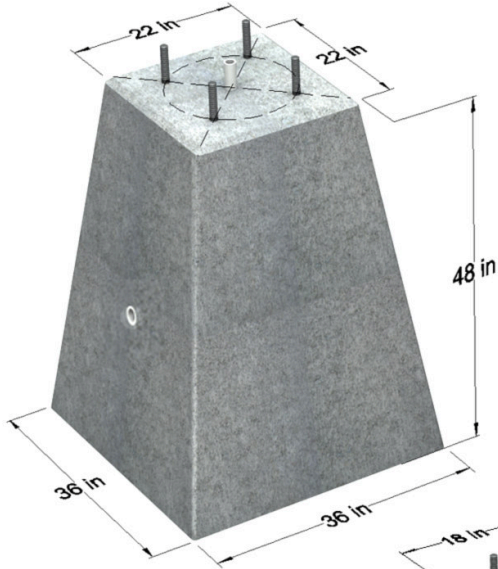


\_\_\_\_\_

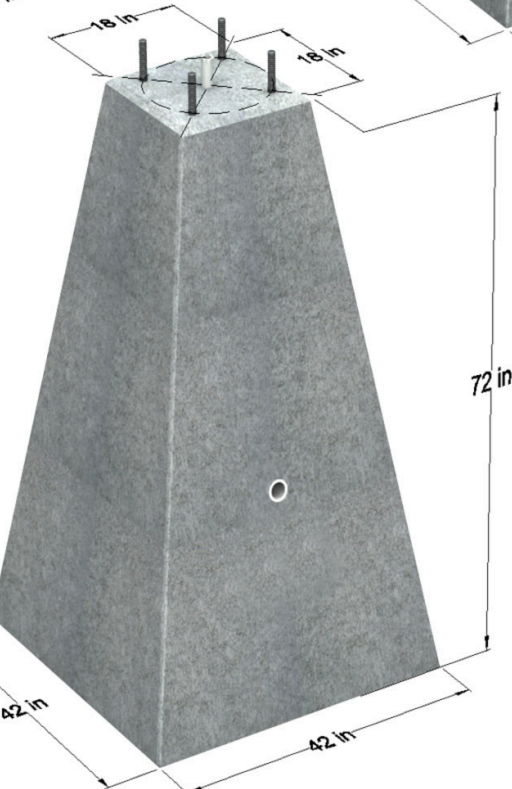
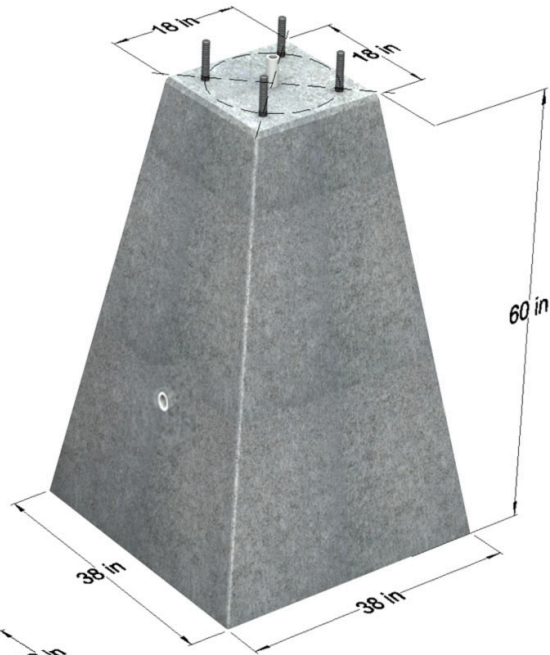
\_\_\_\_\_



**4 FT LAMP BASE LSB4**



**5 FT LAMP BASE LSB5**



**6 FT LAMP BASE LSB6**

**Approximate Weights (lbs/kg)**

LSB4 - 3450 lbs / 1565 kg.

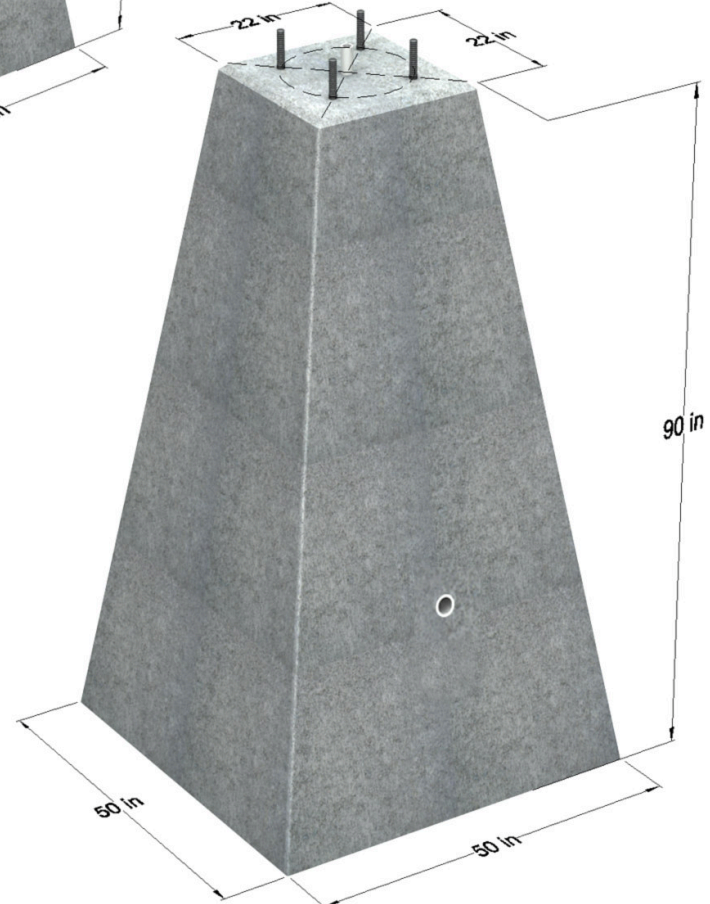
LSB5 - 4100 lbs / 1860 kg

LBS6 - 5720 lbs / 2600 kg

LBS8 - 10,270 lbs / 4660 kg

SPECIFY LOCATION & ELEVATION  
OF ELECTRICAL CONDUIT

SPECIFY MOUNTING BOLT DIAMETER  
& SPACING CENTER



**8 FT LAMP BASE LSB8**

**LAMP BASE**

NOT TO SCALE

FEB 16/2009

DRAWN: RAB

601 Patterson West  
 Cranbrook, B.C.  
 PO BOX 491 V1C 4J6  
 Phone 250-426-8162  
 Fax 250-489-4013  
 email: info@trikonprecast.com  
 www.trikonprecast.com

