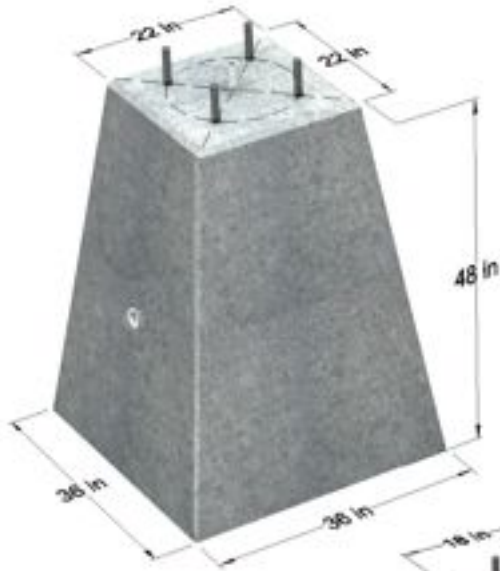
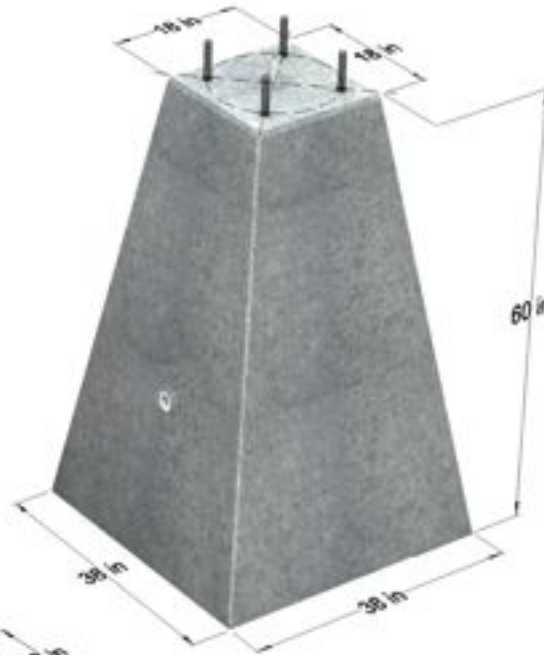


4 FT LAMP BASE LSB4



5 FT LAMP BASE LSB5



Approximate Weights (lbs/kg)

LSB4 - 3450 lbs / 1565 kg.

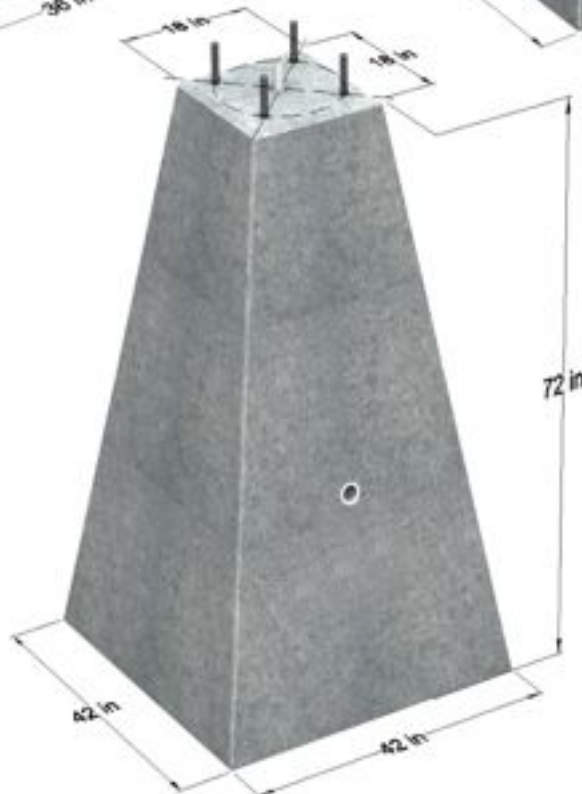
LSB5 - 4100 lbs / 1860 kg

LBS6 - 5720 lbs / 2600 kg

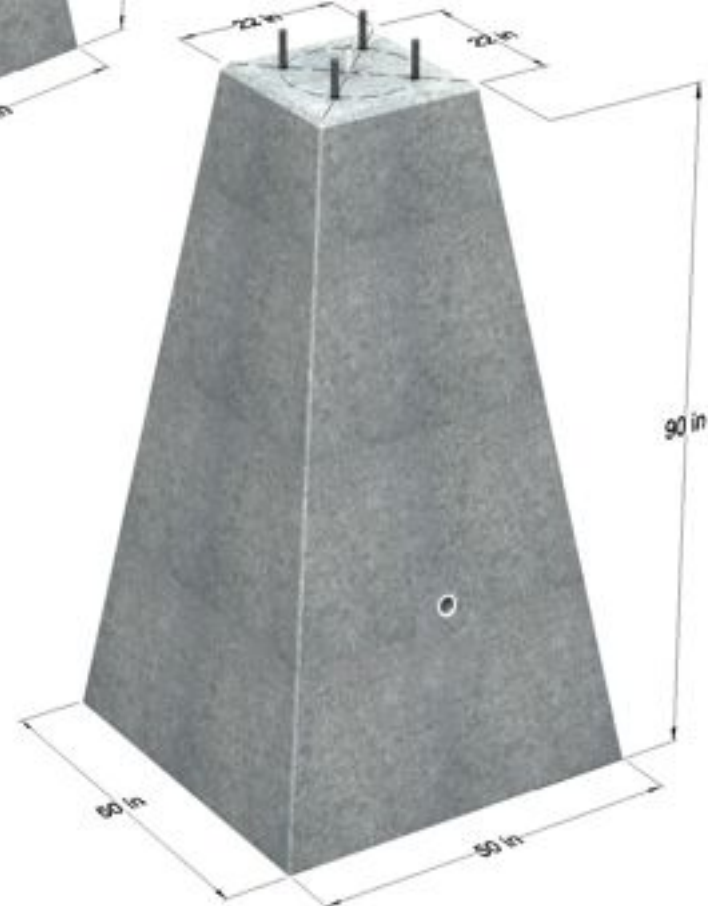
LBS8 - 10,270 lbs / 4660 kg

SPECIFY LOCATION & ELEVATION
OF ELECTRICAL CONDUIT

SPECIFY MOUNTING BOLT DIAMETER
& SPACING CENTER



6 FT LAMP BASE LSB6



8 FT LAMP BASE LSB8

LAMP BASE

NOT TO SCALE

FEB 16/2009

DRAWN: RAIS

601 Patterson West
 Cranbrook, B.C.
 PO BOX 491 - V1C 4J6
 Phone 250-426-8162
 Fax 250-489-4013
 email: info@trikonprecast.com
 www.trikonprecast.com

