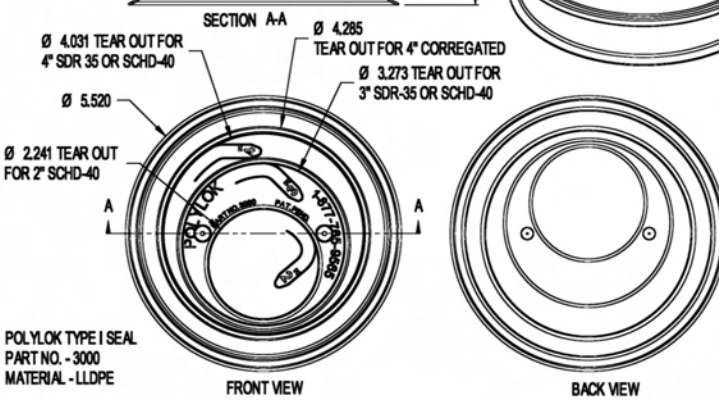
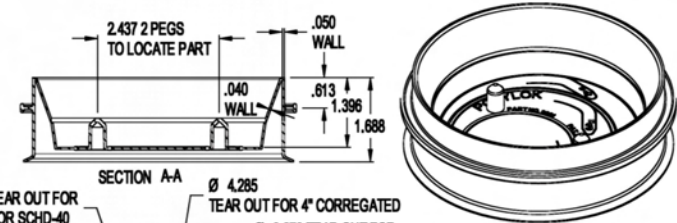
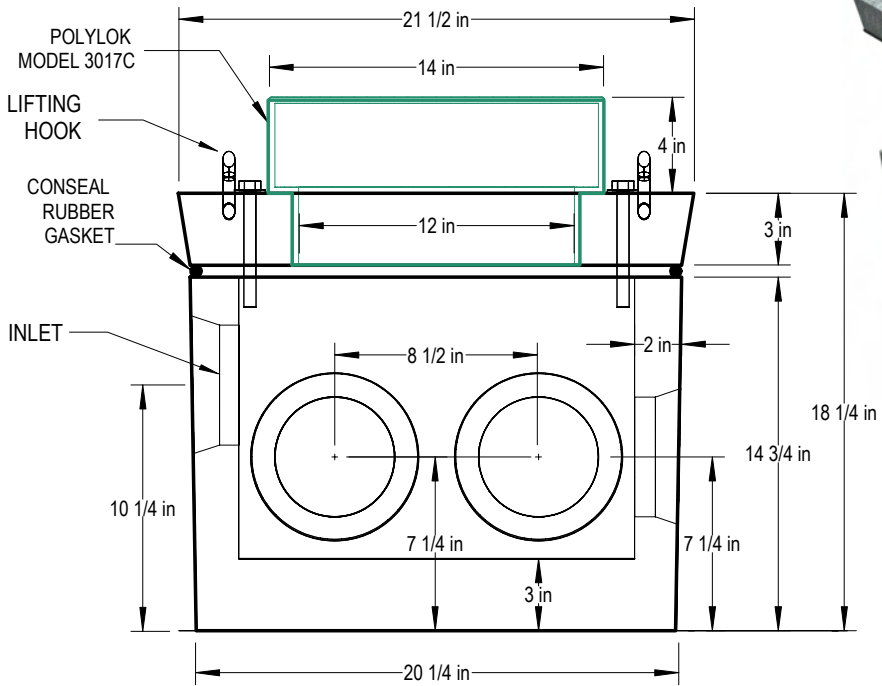
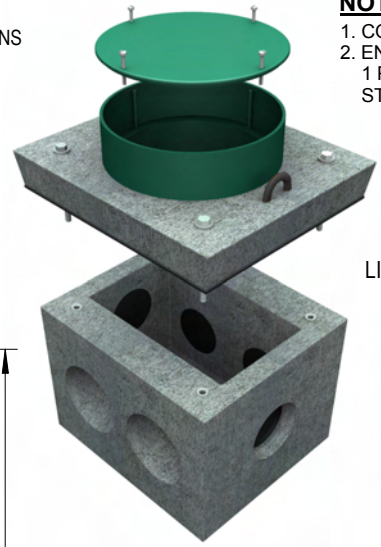


PLAN VIEW

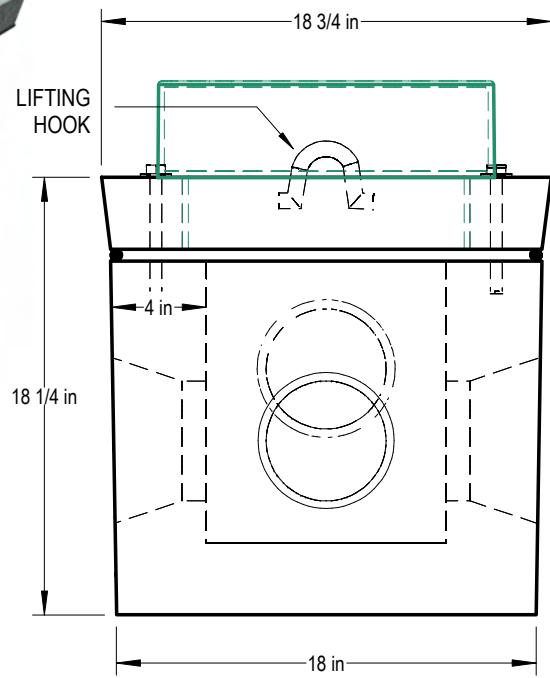


POLYLOK PIPE SEAL

- NOTES:**
1. CONCRETE TO BE MINIMUM 32 MPA 5-8% AIR ENTRAINMENT
 2. ENDURO STRUCTURAL FIBER BOND ADDED TO CONCRETE
1 PUCK/CU/FT, 1 PUCK = 63.5GRAMS (2.24 OZ)
STRANDS = 2 in LENGTH (50mm)



SECTION A-A



END ELEVATION

DISTRIBUTION BOX

NOT TO SCALE

JUNE 09/2006

DRAWN: RAB

601 Patterson West
Cranbrook, B.C.
PO BOX 491 V1C 4J6
Phone 250-426-8162
Fax 250-489-4013
email: info@trikonprecast.com
www.trikonprecast.com

